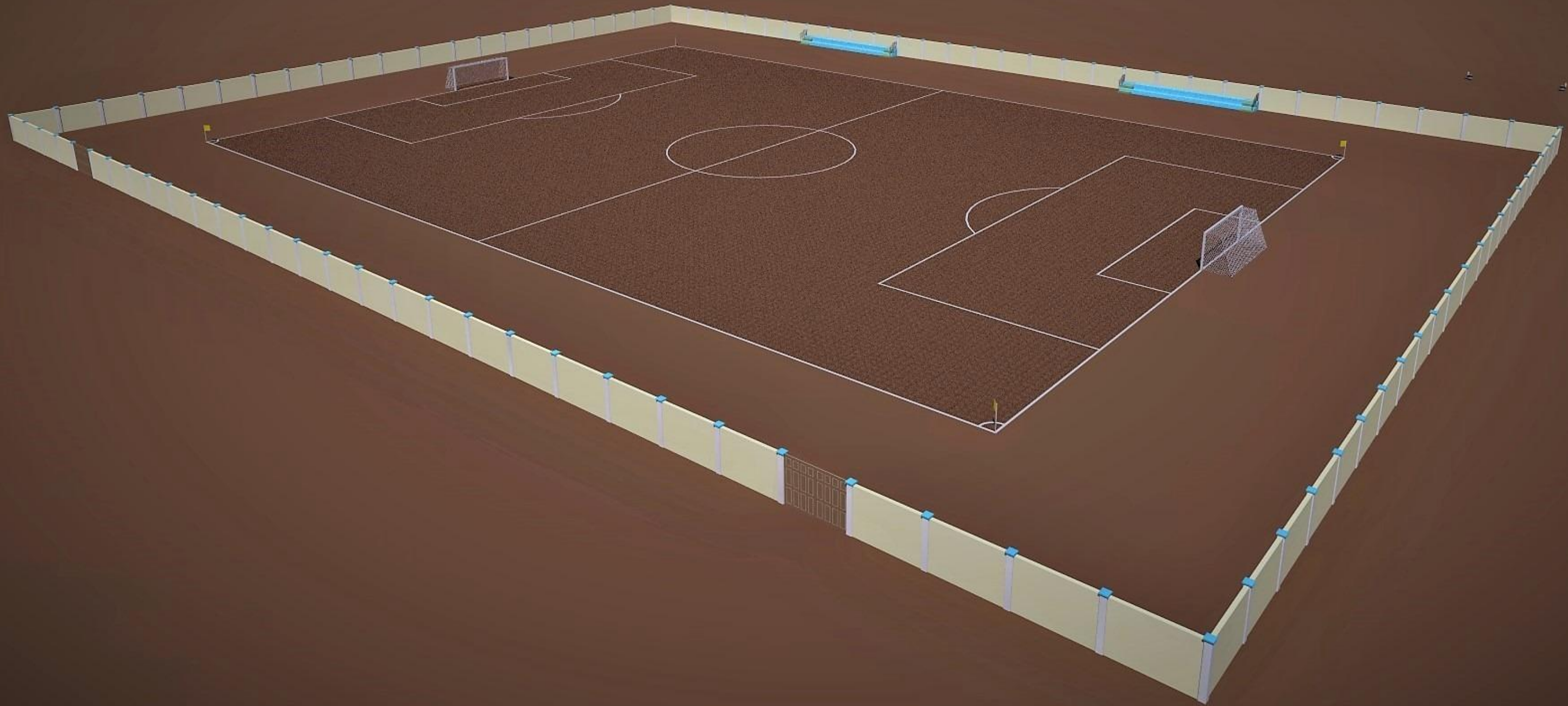


PROPOSED LUUQ FOOTBALL FIELD GRANT NO. KIS065



ARCHITECTS



GeConsult

ARCHITECTURE & ENGINEERING CONSULTANTS

Office No. 529,
5th Floor, 680 Hotel Building,
Muindi Mbingu Street,
Off Kenyatta Avenue.
geconsulteam@gmail.com
www.geconsultarchitects.com
P.O Box 103525 - 00101 Nairobi, Kenya
Tel: +254 724 008 839 / +254 725 178 875

PROJECT DETAILS

Client:



JUBALAND
STATE
ADMINISTRATION

Project title:

REHABILITATION OF LUUQ
FOOTBALL STADIUM

Grant No.:



KIS065

PROPOSED LUUQ FOOTBALL FIELD

GRANT NO. KIS065



SHEET NO.	CONTENTS
00	GPS COORDINATES
01	SITE PLAN
02	SET OUT PLAN
03	SPECTATOR STANDS DETAILS
04	FENCE DETAIL
3D-01	3 DIMENSIONAL PROJECTION 01
3D-02	3 DIMENSIONAL PROJECTION 02
3D-03	3 DIMENSIONAL PROJECTION 03
3D-04	3 DIMENSIONAL PROJECTION 04

ARCHITECTS		PROJECT DETAILS		
 GeConsult ARCHITECTURE & ENGINEERING CONSULTANTS Office No. 529, 5th Floor, 680 Hotel Building, Muindi Mbingu Street, Off Kenyatta Avenue.	Client:  JUBALAND STATE ADMINISTRATION		Project title: REHABILITATION OF LUUQ FOOTBALL STADIUM	
	geconsultteam@gmail.com www.geconsultarchitects.com P.O Box 103525 - 00101 Nairobi, Kenya Tel:+254 724 008 839 / +254 725 178 875		Grant No.: KIS065	



ARCHITECTS



GeConsult

ARCHITECTURE & ENGINEERING CONSULTANTS

Office No. 529,
5th Floor, 680 Hotel Building,
Muindi Mbingu Street,
Off Kenyatta Avenue.
geconsulteam@gmail.com
www.geconsultarchitects.com
P.O Box 103525 - 00101 Nairobi, Kenya
Tel: +254 724 008 839 / +254 725 178 875

PROJECT DETAILS

Client:

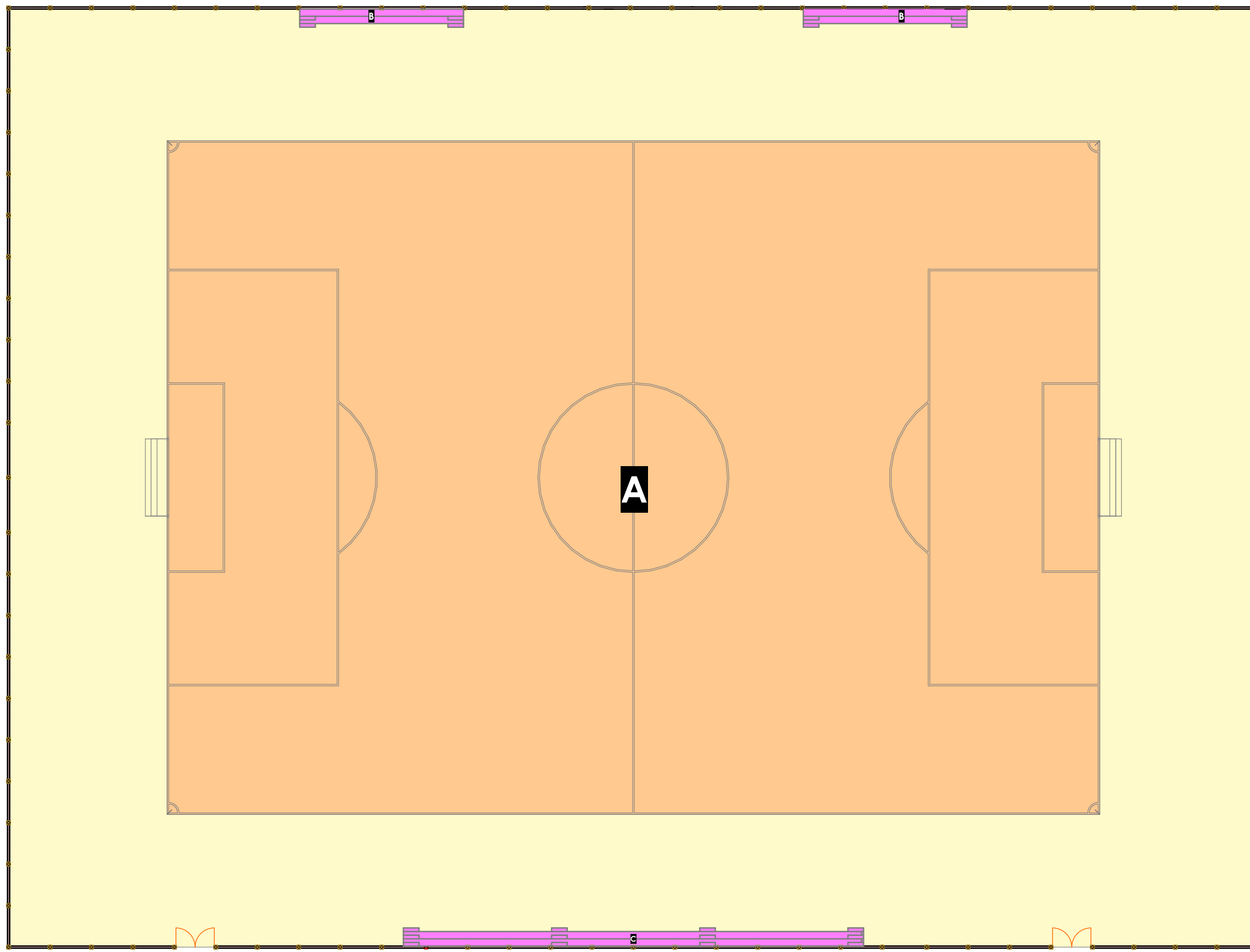


JUBALAND
STATE
ADMINISTRATION

Project title:

REHABILITATION OF LUUG
FOOTBALL STADIUM - KIS065

Drawing Title:		Revision No.	
		01	
Drawn by:	Checked & Approved by:	Sheet No.	Scale:
A.K.	HASSAN ABDISAMAD		
Date:	July 2017		



LEGEND

- A** COMPACTED GRAVEL FOOTBALL PITCH
- B** 2 NO. SPECTATOR STAND 1
- C** SPECTATOR STAND 2

ARCHITECTS



GeConsult

ARCHITECTURE & ENGINEERING CONSULTANTS
 Office No. 529, geconsulteam@gmail.com
 5th Floor, 680 Hotel Building, www.geconsultarchitects.com
 Muindi Mbingu Street, P.O Box 103525 - 00101 Nairobi, Kenya
 Off Kenyatta Avenue. Tel:+254 724 008 839 / +254 725 178 875

PROJECT DETAILS

Client:



Project title:

REHABILITATION OF LUUQ FOOTBALL STADIUM - KIS065

Drawing Title:

SITE PLAN

Revision No.

01

Drawn by:

A.K.

Checked & Approved by:

HASSAN ABDISAMAD

Sheet No.

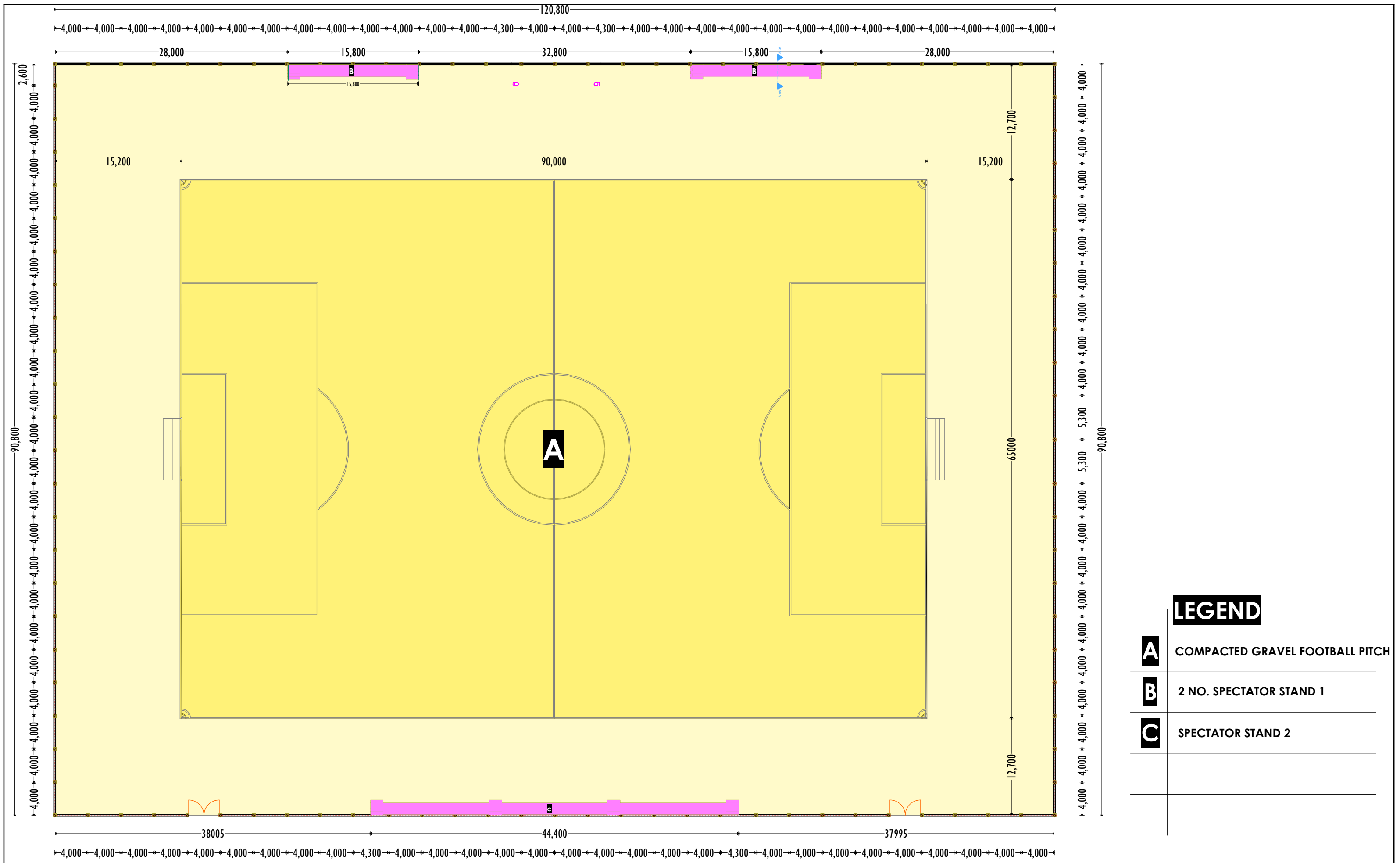
01

Scale:

1:400

Date: **July 2017**

ARCHITECTURAL DRAWINGS



LEGEND

- A** COMPACTED GRAVEL FOOTBALL PITCH
- B** 2 NO. SPECTATOR STAND 1
- C** SPECTATOR STAND 2

ARCHITECTS

GeConsult
ARCHITECTURE & ENGINEERING CONSULTANTS

Office No. 529,
5th Floor, 680 Hotel Building,
Muindi Mbingu Street,
Off Kenyatta Avenue.

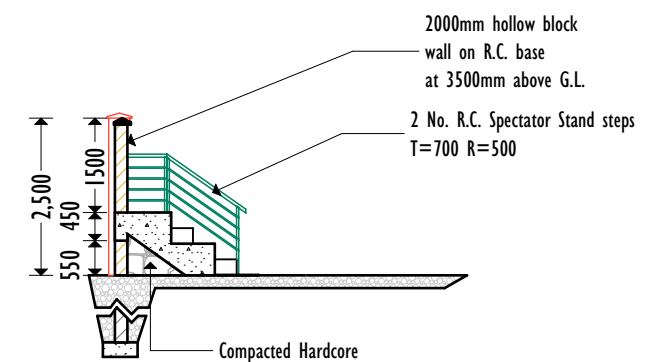
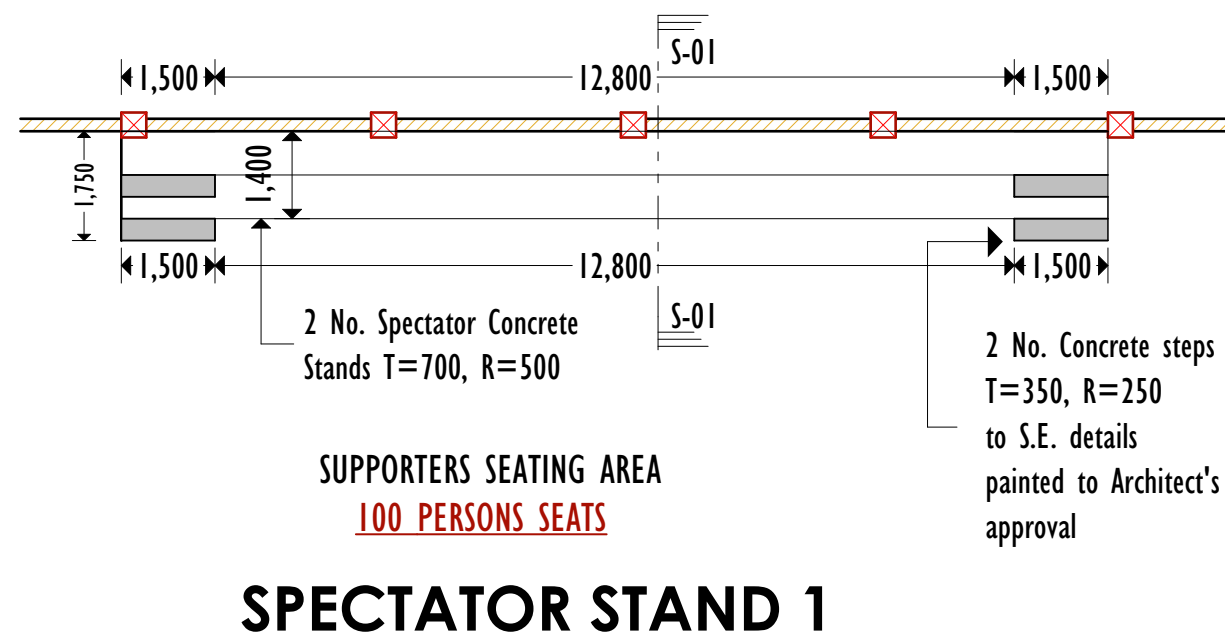
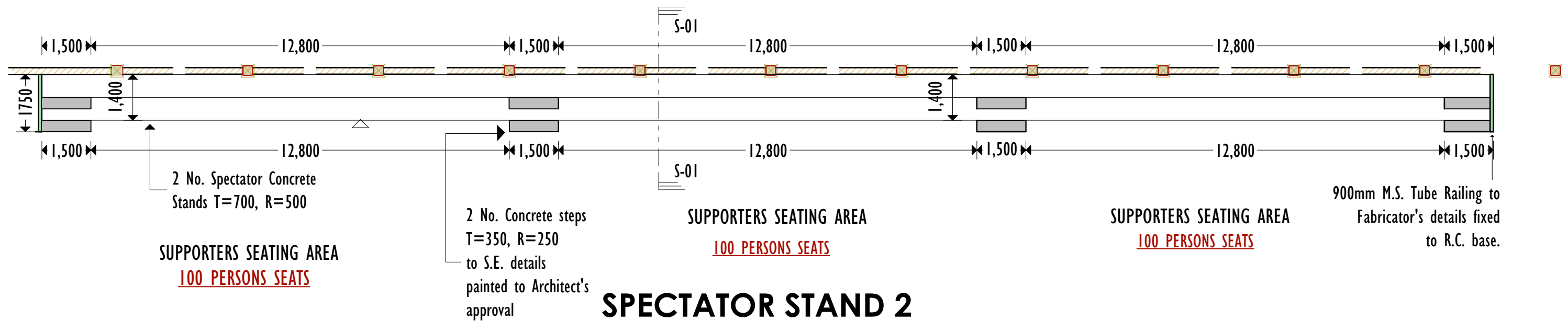
geconsulteam@gmail.com
www.geconsultarchitects.com
P.O Box 103525 - 00101 Nairobi, Kenya
Tel: +254 724 008 839 / +254 725 178 875

PROJECT DETAILS

Client: JUBALAND STATE ADMINISTRATION

Project title: REHABILITATION OF LUUQ FOOTBALL STADIUM - KIS065

Drawing Title: SET OUT PLAN		Revision No. 01	
Drawn by: A.K.	Checked & Approved by: HASSAN ABDISAMAD	Sheet No. 02	Scale: 1:400
Date: July 2017	ARCHITECTURAL DRAWINGS		



ARCHITECTS



GeConsult

ARCHITECTURE & ENGINEERING CONSULTANTS

Office No. 529,
5th Floor, 680 Hotel Building,
Muindi Mbingu Street,
Off Kenyatta Avenue.

geconsultteam@gmail.com
www.geconsultarchitects.com
P.O Box 103525 - 00101 Nairobi, Kenya
Tel: +254 724 008 839 / +254 725 178 875

PROJECT DETAILS

Client:



JUBALAND
STATE
ADMINISTRATION

Project title:

REHABILITATION OF LUUQ
FOOTBALL STADIUM - KIS065

Drawing Title:

SPECTATOR STANDS

Revision No.

01

Drawn by:

A.K.

Checked & Approved by:

HASSAN ABDISAMAD

Sheet No.

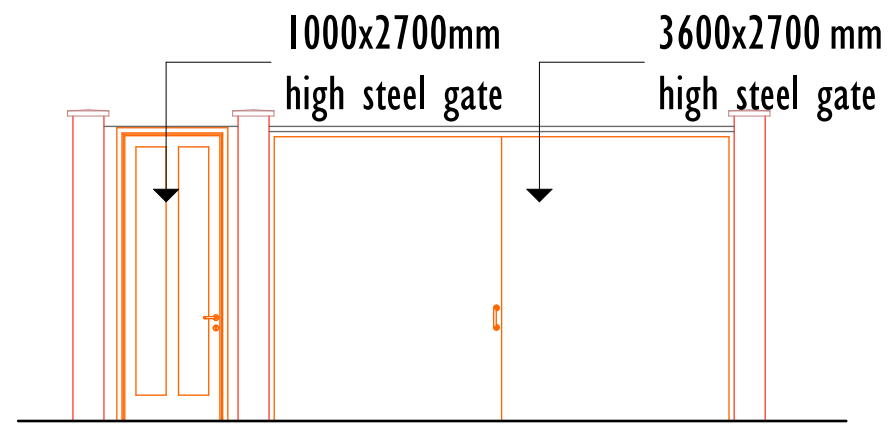
03

Scale:

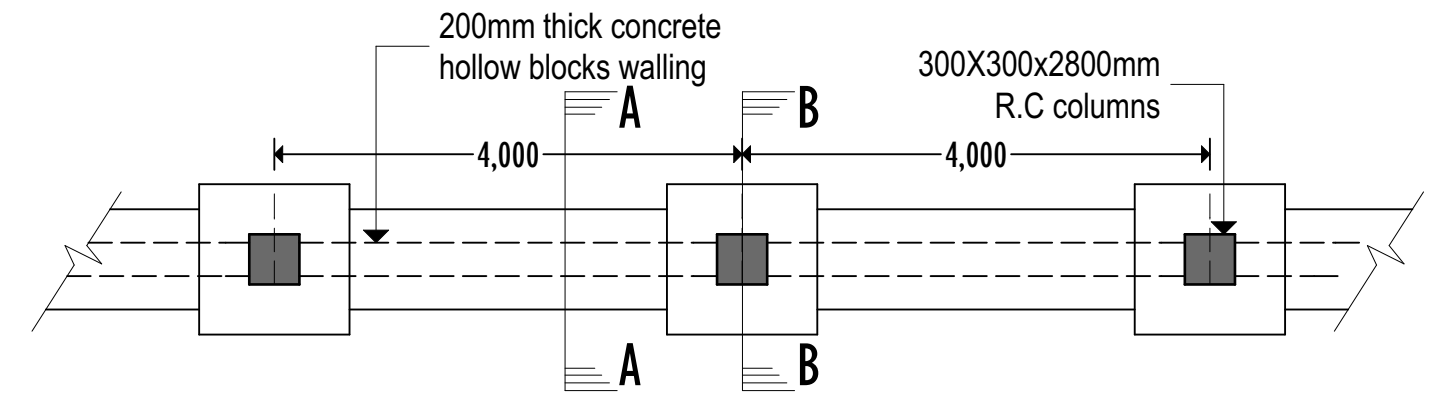
1:50

Date: July 2017

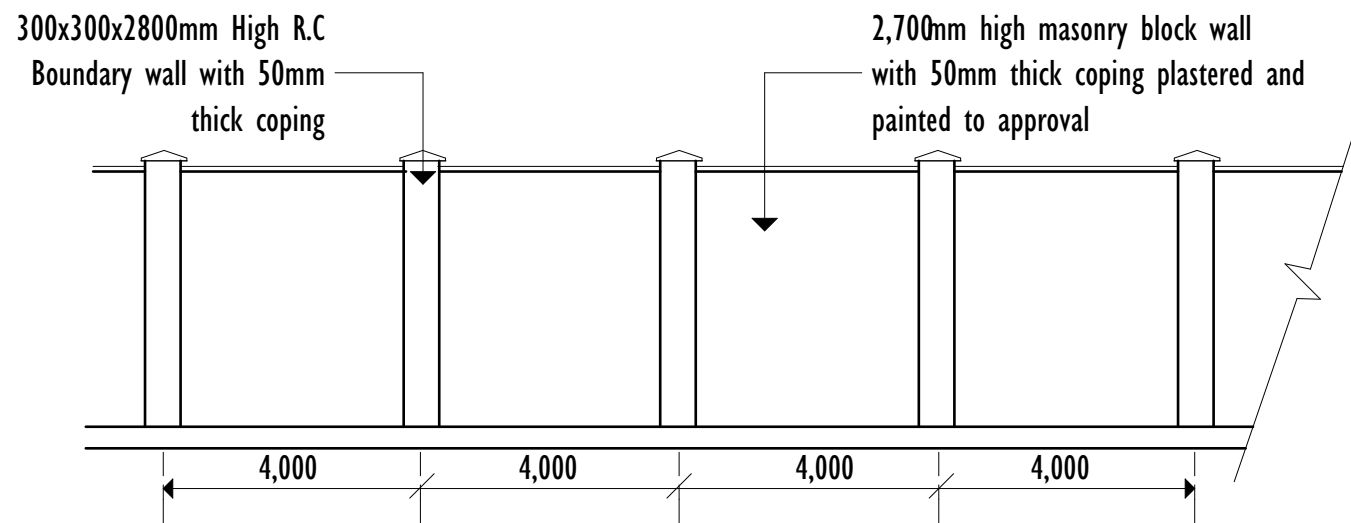
ARCHITECTURAL DRAWINGS



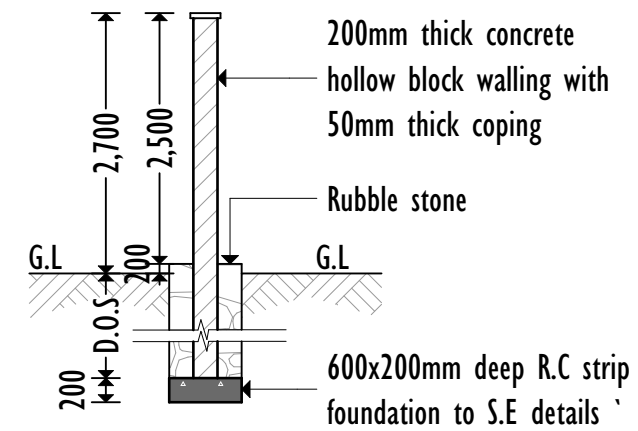
ACCESS GATE



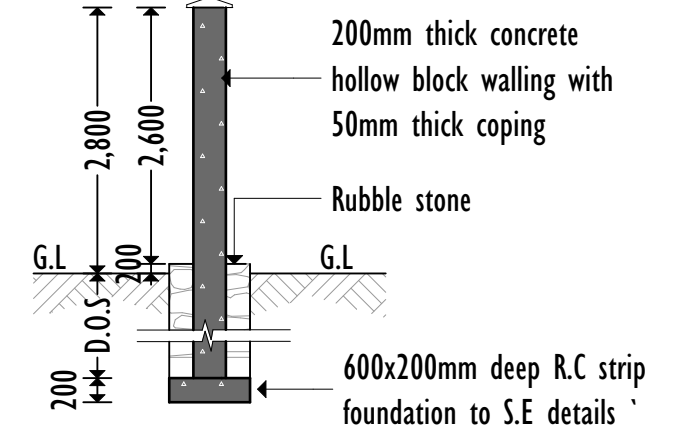
BOUNDARY WALL - FOOTING LAYOUT



BOUNDARY WALL - ELEVATION



SECTION A-A



SECTION B-B

D.O.S
DETERMINED ON SITE MINIMUM OF 1000MM DEEP

ARCHITECTS



GeConsult

ARCHITECTURE & ENGINEERING CONSULTANTS

Office No. 529,
 5th Floor, 680 Hotel Building,
 Muindi Mbingu Street,
 Off Kenyatta Avenue.
 geconsultteam@gmail.com
 www.geconsultarchitects.com
 P.O Box 103525 - 00101 Nairobi, Kenya
 Tel: +254 724 008 839 / +254 725 178 875

PROJECT DETAILS

Client:

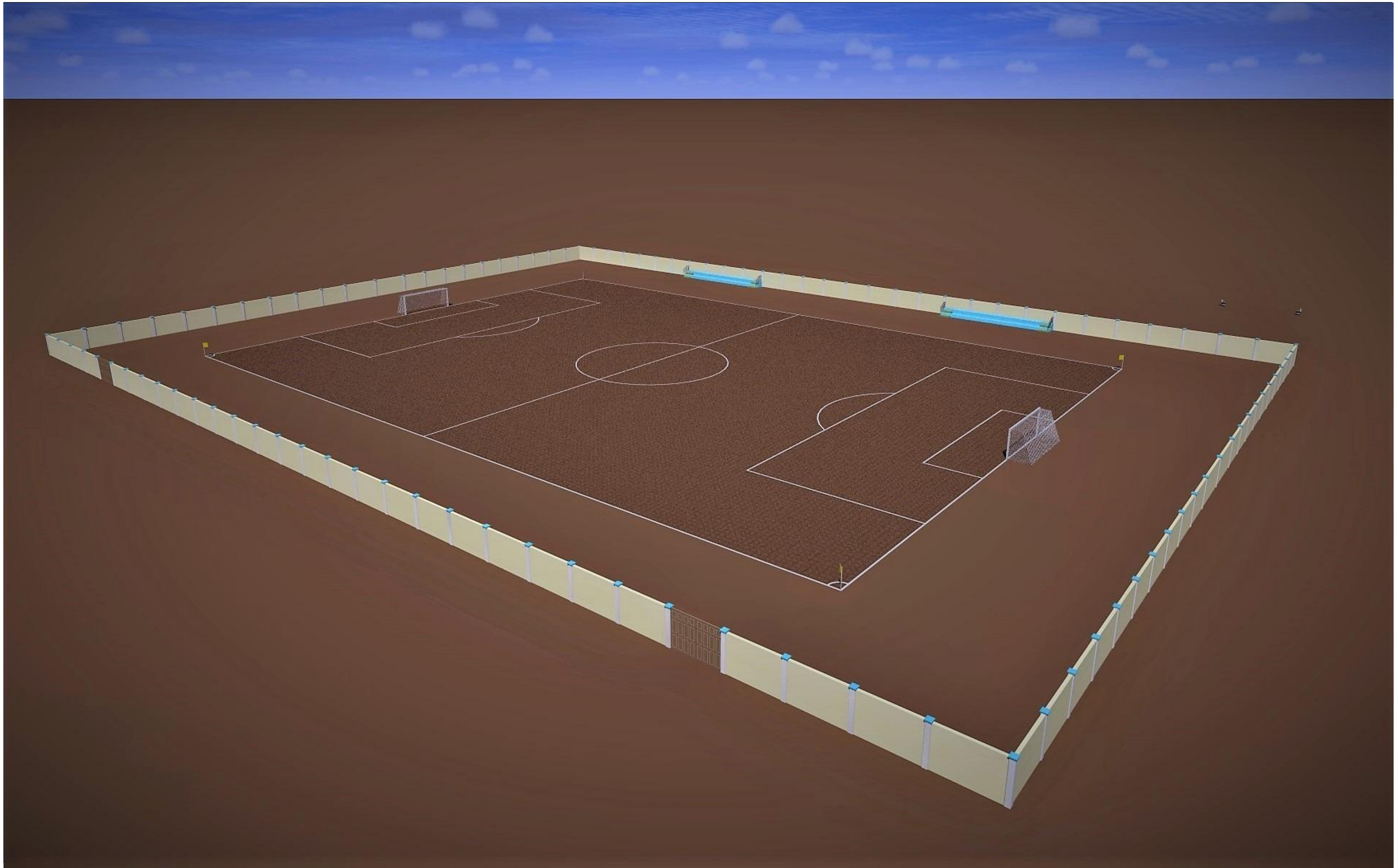


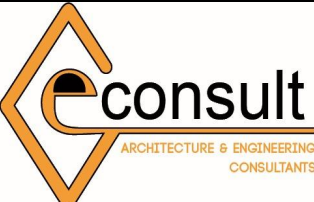

**JUBALAND
 STATE
 ADMINISTRATION**

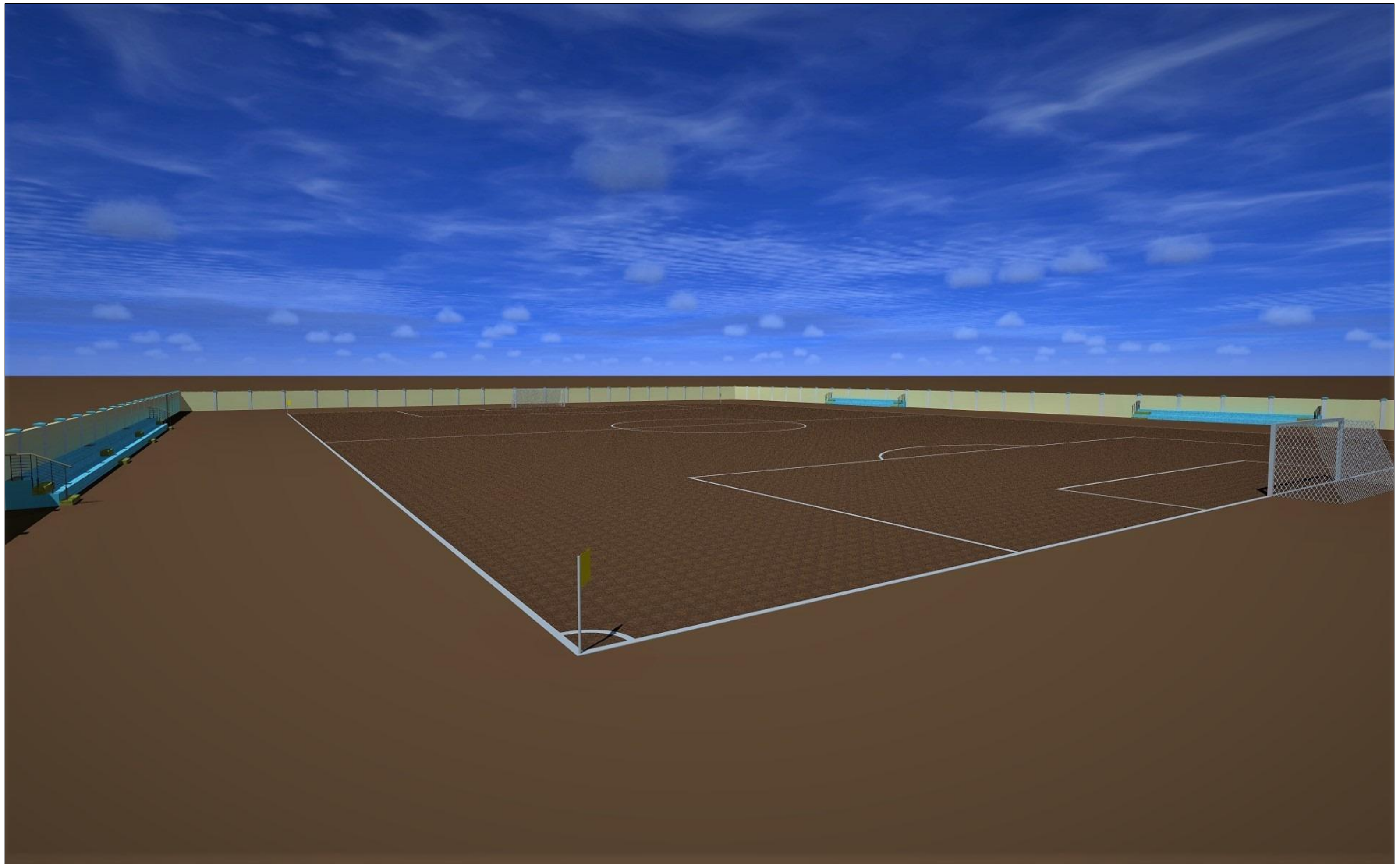
Project title:

**REHABILITATION OF LUUQ
 FOOTBALL STADIUM - KIS065**

Drawing Title: FENCE & WATER TANK		Revision No. 01	
Drawn by: A.K.	Checked & Approved by: HASSAN ABDISAMAD	Sheet No. 04	Scale: N/A
Date: July 2017	ARCHITECTURAL DRAWINGS		



ARCHITECTS		PROJECT DETAILS		Drawing Title:		Revision No.	
 GeConsult ARCHITECTURE & ENGINEERING CONSULTANTS Office No. 529, 5th Floor, 680 Hotel Building, Muindi Mbingu Street, Off Kenyatta Avenue.		Client:  JUBALAND STATE ADMINISTRATION		Project title: REHABILITATION OF LUUQ FOOTBALL STADIUM - KIS065		3 DIMENSIONAL PROJECTION 01	
geconsulteam@gmail.com www.geconsultarchitects.com P.O Box 103525 - 00101 Nairobi, Kenya Tel: +254 724 008 839 / +254 725 178 875				Drawn by: A.K.		Checked & Approved by: HASSAN ABDISAMAD	
				Date: July 2017		Sheet No. 3D-01 Scale: N/A	
ARCHITECTURAL DRAWINGS							



ARCHITECTS



GeConsult

ARCHITECTURE & ENGINEERING CONSULTANTS

Office No. 529, geconsulteam@gmail.com
 5th Floor, 680 Hotel Building, www.geconsultarchitects.com
 Muindi Mbingu Street, P.O Box 103525 - 00101 Nairobi, Kenya
 Off Kenyatta Avenue. Tel: +254 724 008 839 / +254 725 178 875

PROJECT DETAILS

Client:

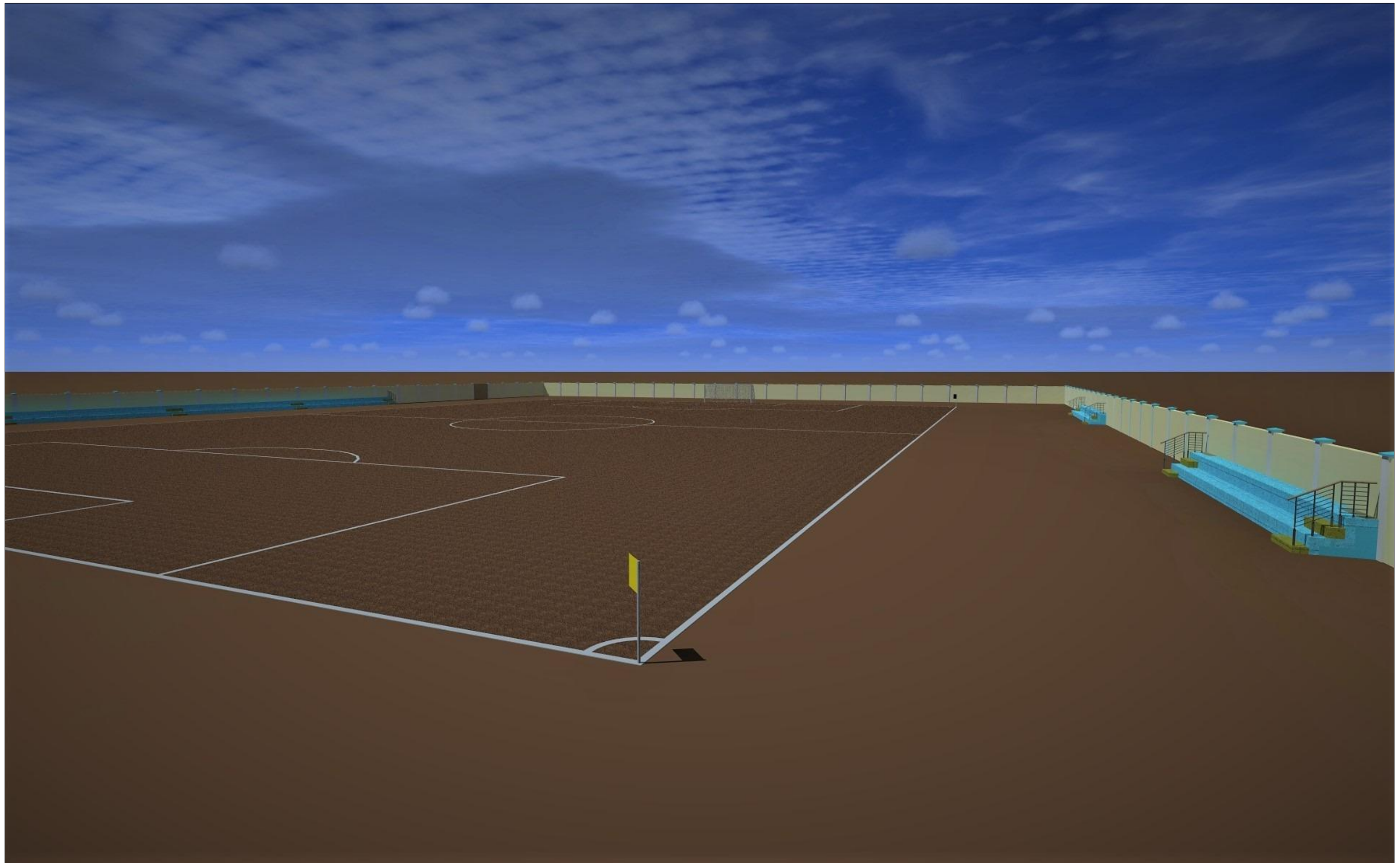


**JUBALAND
STATE
ADMINISTRATION**

Project title:

**REHABILITATION OF LUUQ
FOOTBALL STADIUM - KIS065**

Drawing Title:		Revision No.	
3 DIMENSIONAL PROJECTION		01	
Drawn by:	Checked & Approved by:	Sheet No.	Scale:
A.K.	HASSAN ABDISAMAD	3D-02	N/A
Date:	ARCHITECTURAL DRAWINGS		
July 2017			



ARCHITECTS



GeConsult

ARCHITECTURE & ENGINEERING CONSULTANTS

Office No. 529,
5th Floor, 680 Hotel Building,
Muindi Mbingu Street,
Off Kenyatta Avenue.

geconsulteam@gmail.com
www.geconsultarchitects.com
P.O Box 103525 - 00101 Nairobi, Kenya
Tel: +254 724 008 839 / +254 725 178 875

PROJECT DETAILS

Client:

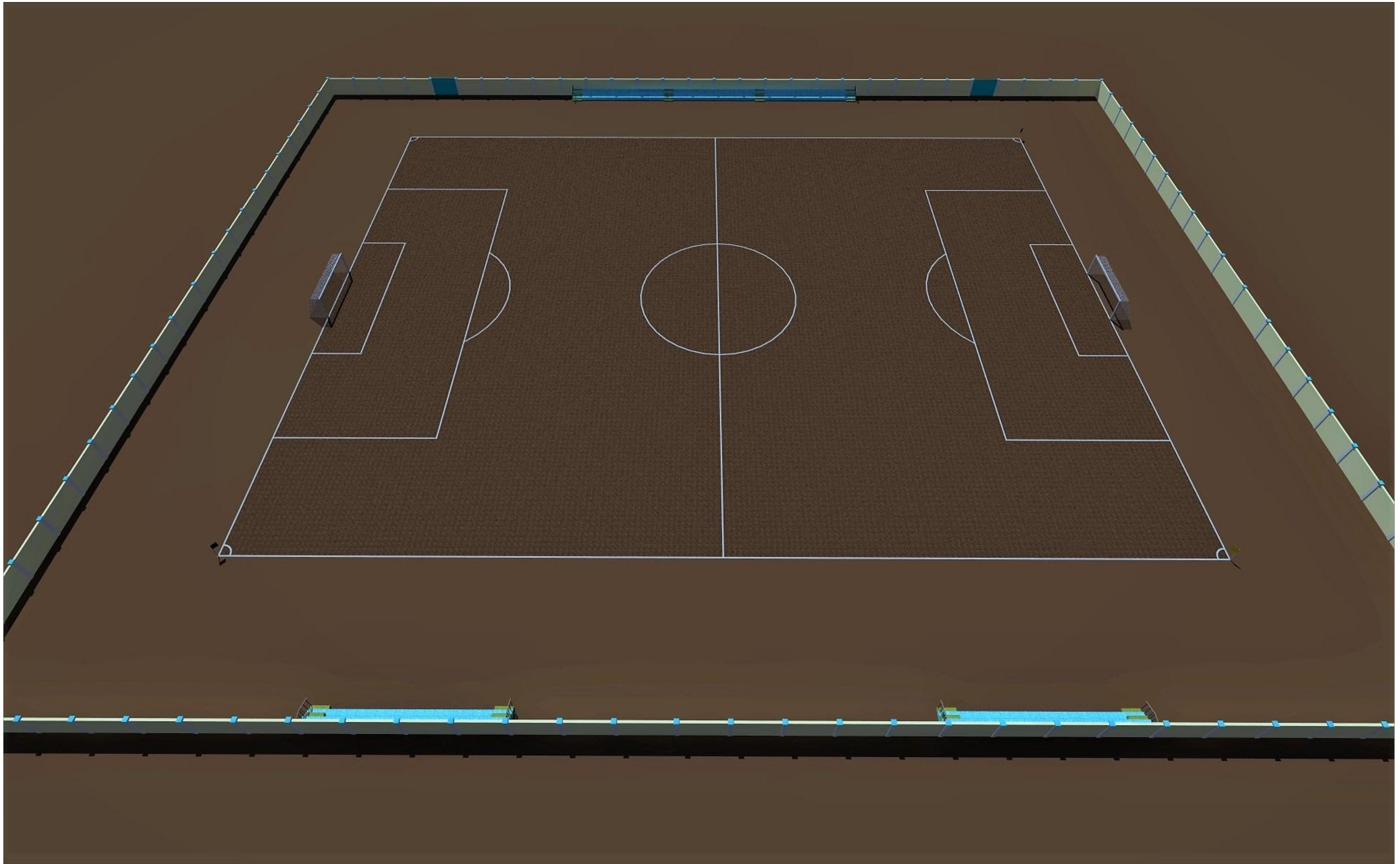


JUBALAND
STATE
ADMINISTRATION

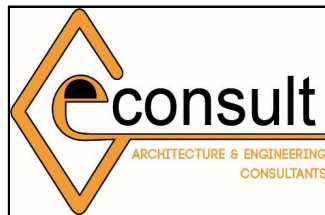
Project title:

REHABILITATION OF LUUQ
FOOTBALL STADIUM - KIS065

Drawing Title:		Revision No.	
3 DIMENSIONAL PROJECTION		01	
Drawn by:	Checked & Approved by:	Sheet No.	Scale:
A.K.	HASSAN ABDISAMAD	3D-03	N/A
Date:	ARCHITECTURAL DRAWINGS		
July 2017			



ARCHITECTS



GeConsult

ARCHITECTURE & ENGINEERING CONSULTANTS

Office No. 529,
5th Floor, 680 Hotel Building,
Muindi Mbingu Street,
Off Kenyatta Avenue.

geconsulteam@gmail.com
www.geconsultarchitects.com
P.O Box 103525 - 00101 Nairobi, Kenya
Tel: +254 724 008 839 / +254 725 178 875

PROJECT DETAILS

Client:



JUBALAND
STATE
ADMINISTRATION

Project title:

REHABILITATION OF LUUQ
FOOTBALL STADIUM - KIS065

Drawing Title:		Revision No.	
3 DIMENSIONAL PROJECTION		01	
Drawn by:	Checked & Approved by:	Sheet No.	Scale:
A.K.	HASSAN ABDISAMAD	3D-04	N/A
Date:	ARCHITECTURAL DRAWINGS		
July 2017			